

DH-PFA121

Junction Box



Features

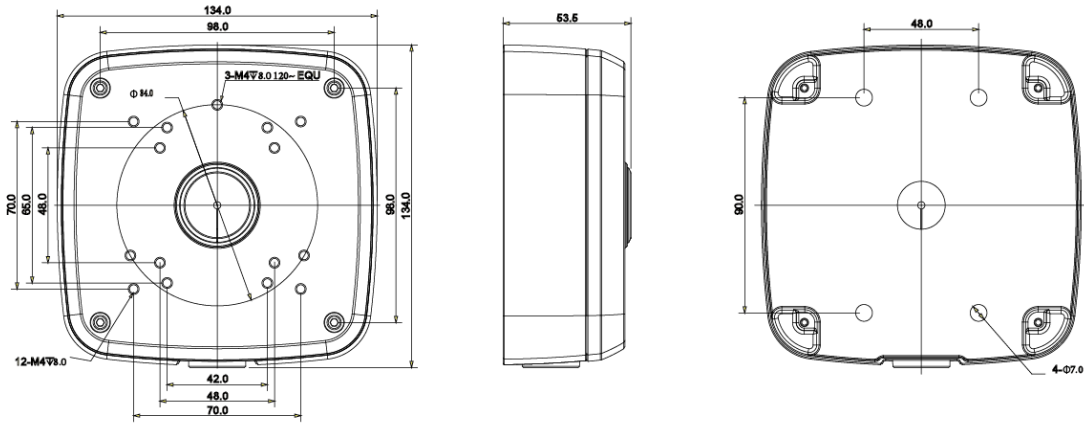
- Material: Aluminum
- Junction Box
- Neat & Integrated design

Specifications

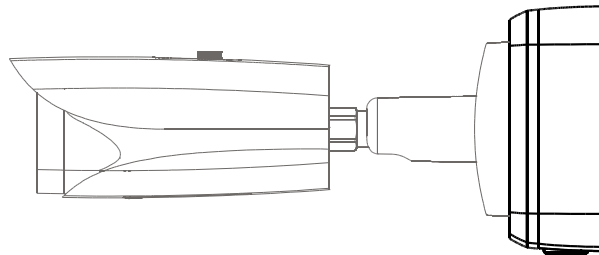
Model	DH-PFA121
General	
Material	Aluminum
Dimension (W x H x D)	134mm(L) x 134mm(W) x 53.5mm(H)
Pipe Thread	N/A
Operating Temperature	-40°C ~60°C
Humidity	0~90% RH
Load Bearing	3Kg
Weight	0.5Kg
Applicable Model	CA-FW[G/I], HAC-HFW[E/S], HDC-HFW[C/S], IPC-HFW[C/E/S], PFB120W, PFB121W

DH-PFA121

Dimensions (mm)



Application



Dahua Technology Co., Ltd.

1199 BinAn Road, Binjiang District, Hangzhou, China

Tel: +86-571-87688883

Fax: +86-571-87688815

Email: overseas@dahuatech.com

www.dahuasecurity.com

*Design and specifications are subject to change without notice.

© 2014 Dahua Technology Co., Ltd.